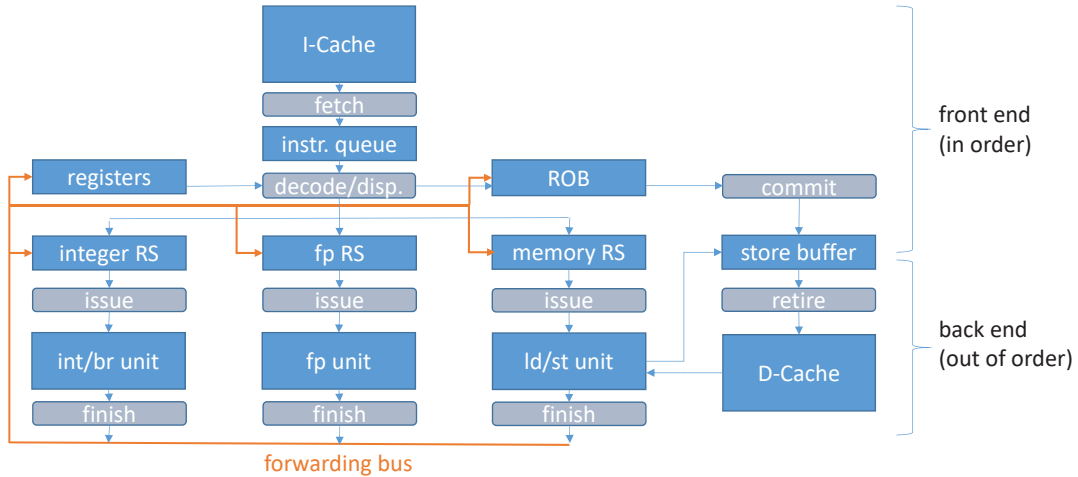


# Dynamic Pipeline Structure



# Data Structures (ARF/RRF)

ARF

	data	rr#
R0	6	
R1	2	
R2	10	
R3	8	

RS

data1	rr#1	data2	rr#2	opcode	rr#

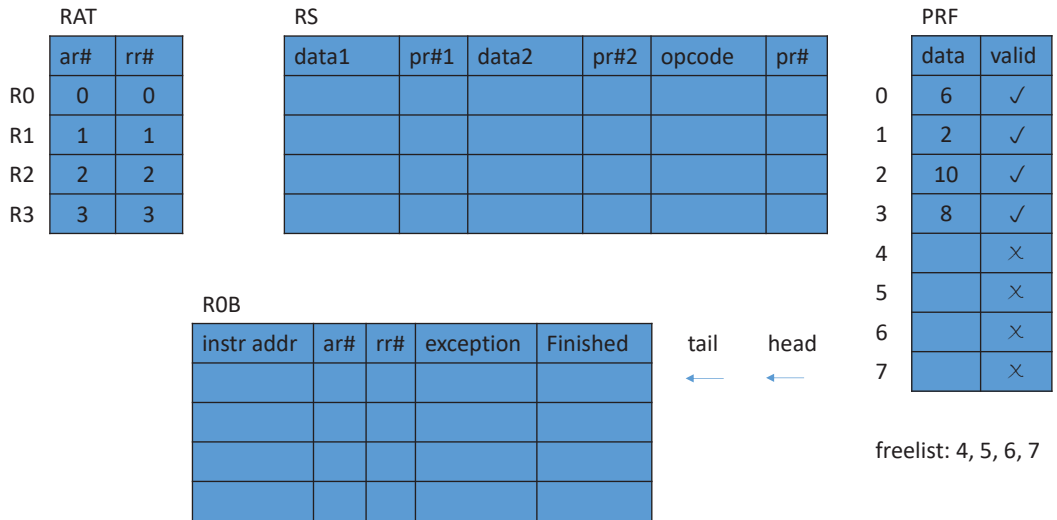
RRF

	data	valid
0		×
1		×
2		×
3		×

ROB

instr addr	ar#	rr#	exception	Finished	tail	head
					←	←

# Data Structures (RAT/PRF)



# Data Structures (RAT/PRF delayed read)

